

ECS 203: Problem Set 7

Semester/Year: 2/2014

Course Title: Basic Electrical Engineering

Instructor: Asst. Prof. Dr. Prapun Suksompong (prapun@siit.tu.ac.th)

Course Web Site: <http://www2.siiit.tu.ac.th/prapun/ecs203/>

Due date: Not Due

Questions

- 1) [Alexander and Sadiku, 2009, Q4.66] Find the maximum power that can be delivered to the resistor R in the circuit of Figure 1.

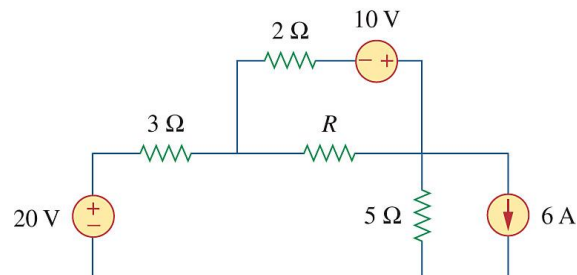


Figure 1

- 2) [Alexander and Sadiku, 2009, Q5.8] Obtain v_o for each of the op amp circuits in Figure 2.

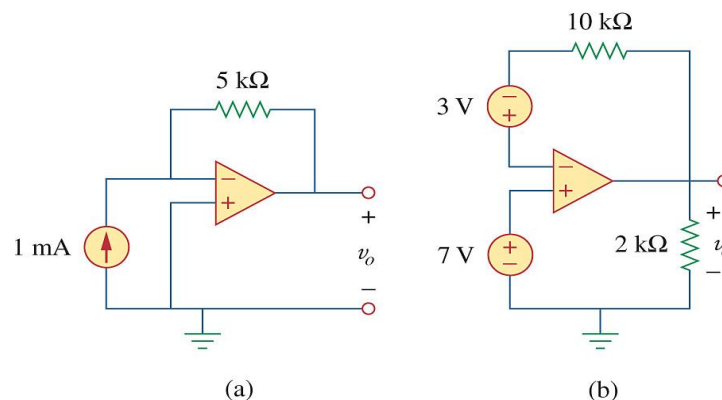


Figure 2

3) [Alexander and Sadiku, 2009, Q5.10] Find the gain v_o/v_s of the circuit in Figure 3.

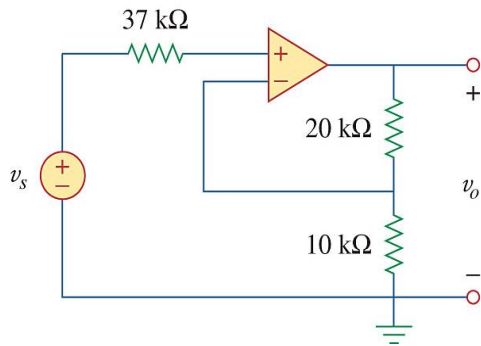


Figure 3

4) [Alexander and Sadiku, 2009, Q5.20] In the circuit in Figure 4, calculate v_o if $v_s = 0$.

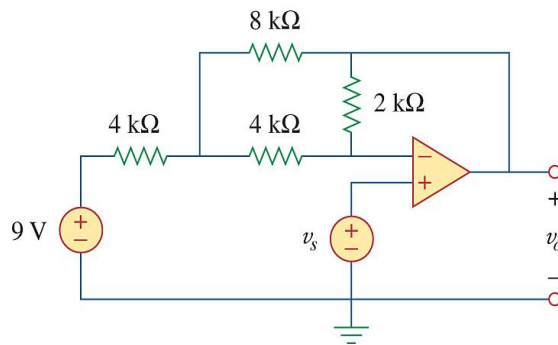


Figure 4

5) [Alexander and Sadiku, 2009, Q5.37] Determine the output of the summing amplifier in Figure 5.

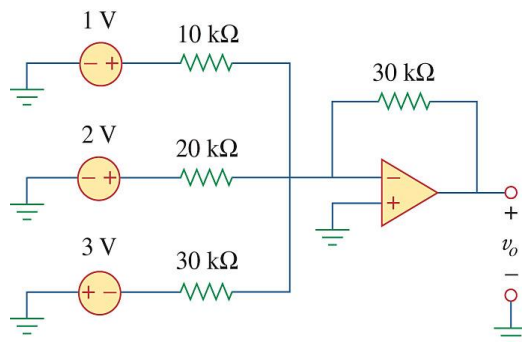


Figure 5